

Gemini Valve B.V.

Zijperstraat 29, 1823CX Alkmaar
Netherlands
Tel.: +31(0) 161-227.909
Mobile: +316 1358 2578

info@geminivalve.nl
www.geminivalve.nl
GV0460025N



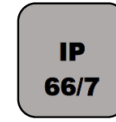
FEATURES

The universal aluminium housing BE/BS45 switch boxes are intended for quarter-turn pneumatic actuators equipment. It allows an easy and direct visualization of the position of the valve and feedback information to the control. With a compact and economic construction, it can be installed outdoors. These switch boxes are provided with a NAMUR universal fixation system. BE/BS45 enclosures can be equipped with multiple switches and sensors (see below). The notched cams can be manually adjusted with great accuracy, and are insensitive to vibrations.

AVAILABLE MODELS

BE45 : model mechanical switches IP66/67

BS45 : model proximity sensors IP66/67



On request

LIMITS OF USE

Ambiant temperature	-20°C / +80°C
IP Rating	IP 66/67

MECHANICAL CONNECTION

Axis dimension	According to VDI/VDE 3845
Stainless steel brackets for fixation on the actuator	NAMUR 1 : 80x30
	NAMUR 2 : 80x30
	NAMUR 3 : 130x30
	Height of axis : 20, 30, 40, 50



ELECTRICAL CONNECTION

Standard Cable Entries	2 x M20 x 1,5
Gland (included)	2 x M20 x 1,5
Cable entries (option)	2 x 1/2" NPT

BE/BS45 SWITCH DETAILS

Réf.	Switch	Features
BE45	2 mechanical switches SPDT silver	Max 3A-250 Vac Max 5A-125 Vac Max 3A-30 Vcc
BS45	2 proximity sensors 3 wires	PNP 10 - 30 Vdc P+F NBB2 V3 E2

Information given as an indication only, and subject to possible modifications.

Gemini Valve B.V.

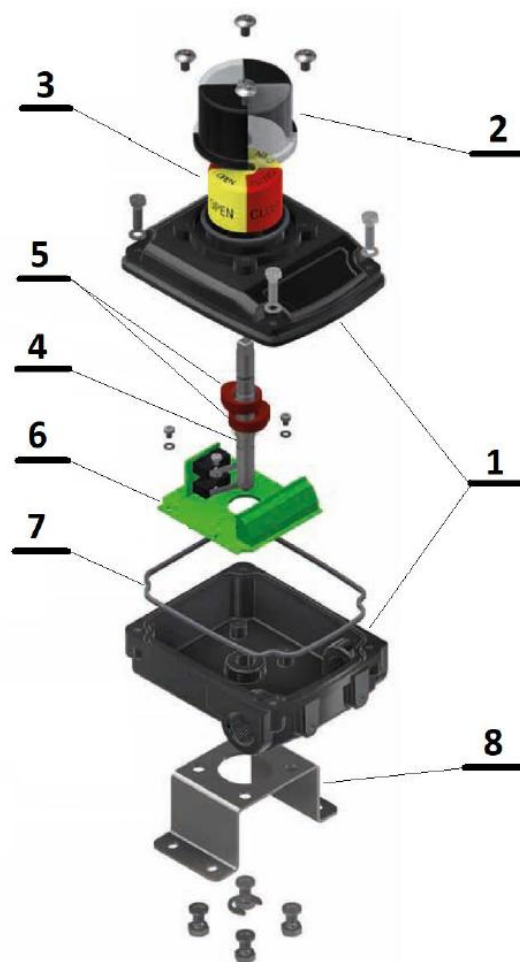
Zijperstraat 29, 1823CX Alkmaar
Netherlands
Tel.: +31(0) 161-227.909
Mobile: +316 1358 2578

info@geminivalve.nl
www.geminivalve.nl
GV0460025N



CONSTRUCTION

No.	Name	Materials
1	compact housing	Coated aluminium
2	Lid (dome)	UV resisting polycarbonate
3	3D Indicator (OPEN/CLOSED)	ABS
4	Shaft	Stainless steel
5	Cam	ABS
6	Integrated PCB with terminal strip	ABS
7	Gasket	NBR
8	Universal bracket	Stainless steel
	Weight (kg)	0,74



Information given as an indication only, and subject to possible modifications.

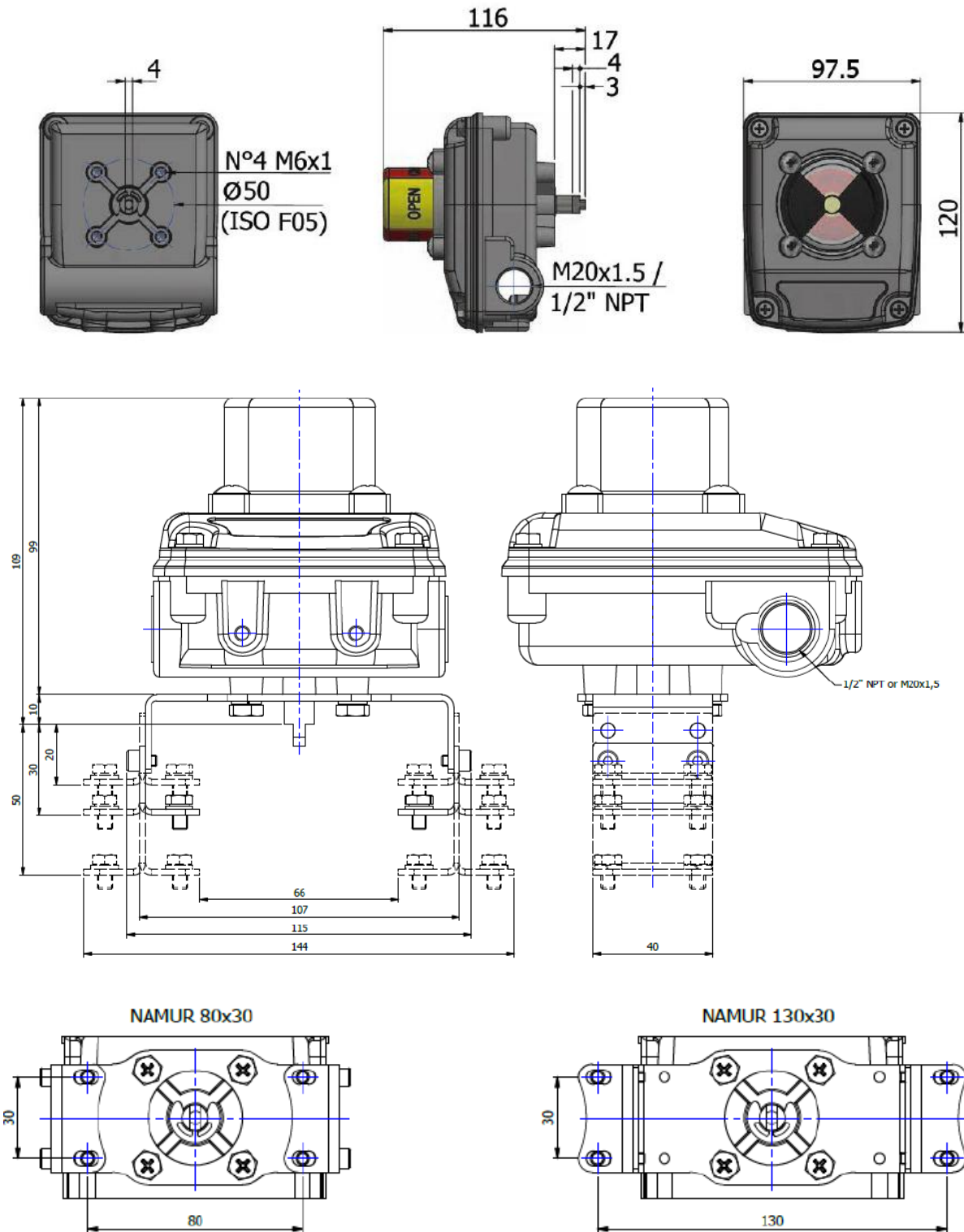
Gemini Valve B.V.

Zijperstraat 29, 1823CX Alkmaar
Netherlands
Tel.: +31(0) 161-227.909
Mobile: +316 1358 2578

info@geminivalve.nl
www.geminivalve.nl
GV0460025N



DIMENSIONS (mm)



Information given as an indication only, and subject to possible modifications.

Gemini Valve B.V.

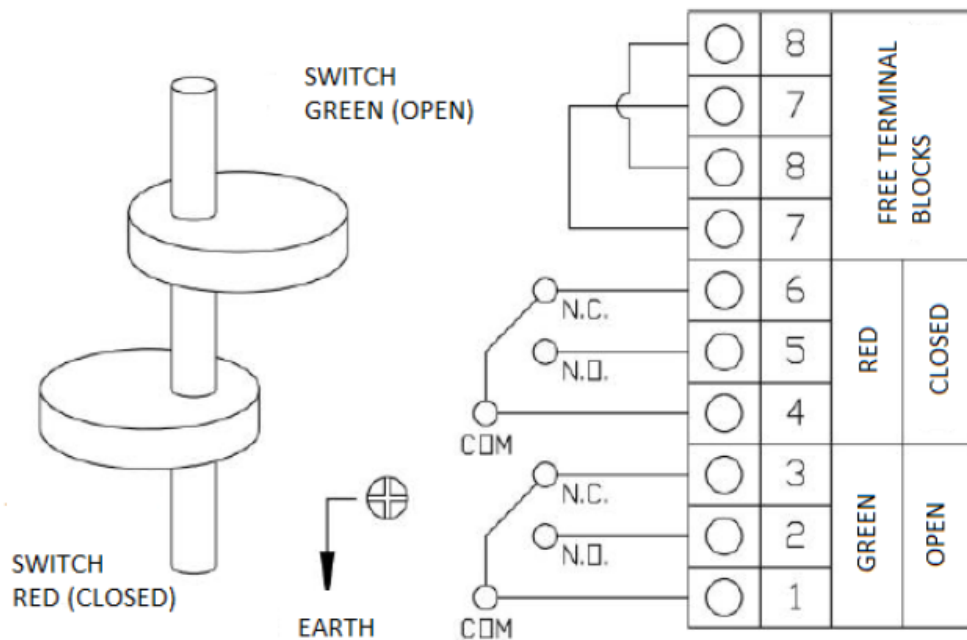
Zijperstraat 29, 1823CX Alkmaar
 Netherlands
 Tel.: +31(0) 161-227.909
 Mobile: +316 1358 2578

info@geminivalve.nl
www.geminivalve.nl
GV0460025N

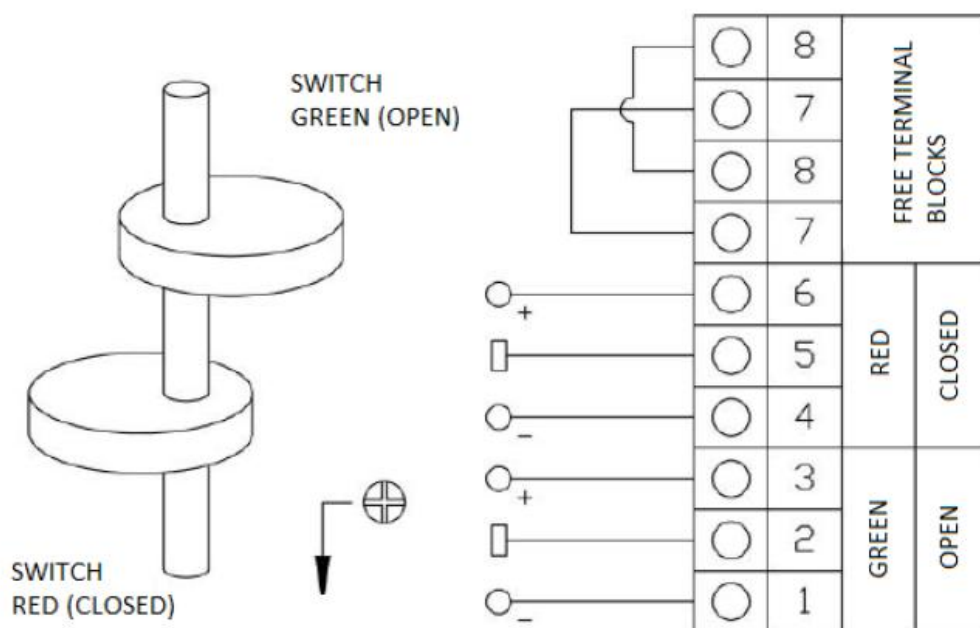


WIRING DIAGRAMS

A) Two SPDT micro switches, mechanical or magnetic



B) 3-wire cubic inductive/proximity sensors



Information given as an indication only, and subject to possible modifications.